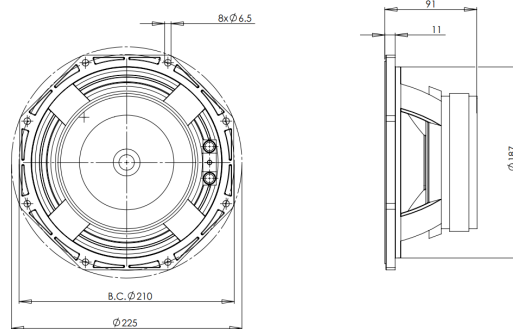


# 8PS21

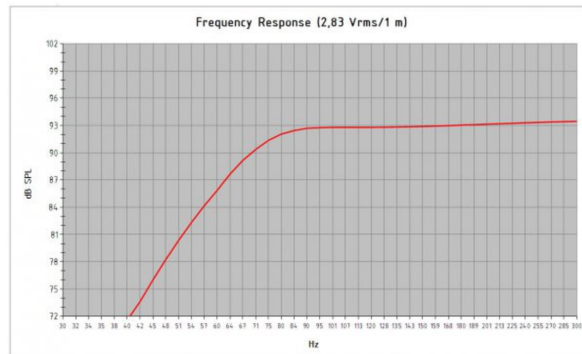
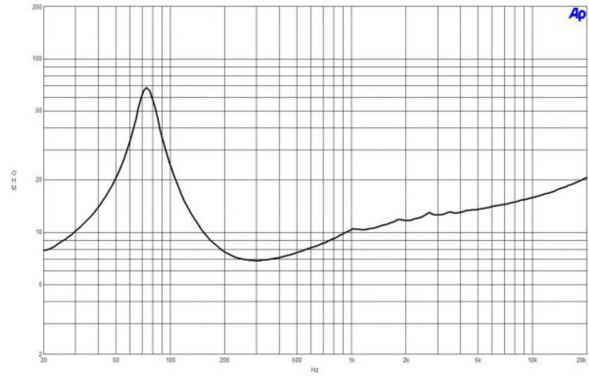
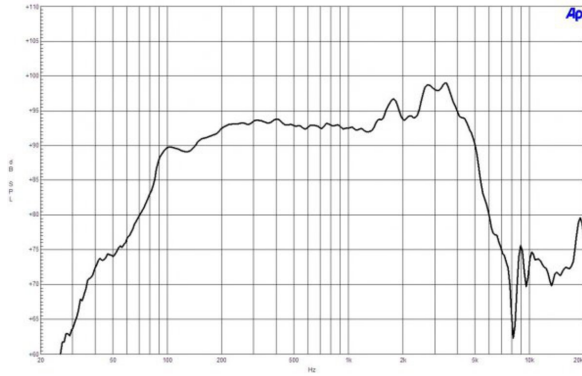
**8Ω****LF Drivers - 8.0 Inches**

- 400 W continuous program power capacity
- 51 mm (2 in) copper voice coil
- 70 - 3000 Hz response
- 94 dB sensitivity
- Shorting copper cap for extended HF response



# 8PS21

LF Drivers- 8.0 Inches



Model: **8 PS 21**  
 Enclosure Type: **Bass Reflex**  
 Internal Net Volume (Liters): **14**  
 Tuning Frequency (Hz): **73**  
 Frequency (-3 dB) (Hz): **72.8**  
 Port Area (cm<sup>2</sup>): **32.2**  
 Port Length (cm): **7.4**  
 Excursion Limited Maximum SPL at 1 meter (dB): **110.6** equal to **54.4** Watts (Bass Band Power Rating)  
 Thermal Limited Maximum SPL at 1 meter (dB): **116.3** equal to **200.0** Watts (Mid Band Power Rating)

## SPECIFICATIONS

Nominal Diameter	200 mm (8.0 in)
Nominal Impedance	8 Ω
Minimum Impedance	7.0 Ω
Nominal Power Handling <sup>1</sup>	200 W
Continuous Power Handling <sup>2</sup>	400 W
Sensitivity <sup>3</sup>	94.0 dB
Frequency Range	70 - 3000 Hz
Voice Coil Diameter	51 mm (2.0 in)
Winding Material	Copper
Former Material	Kapton
Winding Depth	16.0 mm (0.62 in)
Magnetic Gap Depth	8.0 mm (0.31 in)
Flux Density	1.1 T

## DESIGN

Surround Shape	Double Roll
Cone Shape	Exponential
Magnet Material	Ferrite
Spider	Single
Pole Design	T-Pole
Woofers Cone Treatment	None
Recommended Enclosure	14.0 dm <sup>3</sup> (0.49 ft <sup>3</sup> )
Recommended Tuning	73 Hz

## PARAMETERS<sup>4</sup>

Resonance Frequency	73 Hz
Re	5.4 Ω
Qes	0.36
Qms	4.2
Qts	0.33
Vas	14.0 dm <sup>3</sup> (0.49 ft <sup>3</sup> )
Sd	220.0 cm <sup>2</sup> (34.1 in <sup>2</sup> )
η <sub>o</sub>	1.5 %
X <sub>max</sub>	± 5.0 mm
X <sub>var</sub>	± 4.0 mm
M <sub>ms</sub>	23.0 g
Bl	12.6 Txm
Le	0.5 mH
EBP	202 Hz

B&C Speakers s.p.a.

Via Poggiomoro, 1 - Loc. Vallina, 50012 Bagno a Ripoli (FI) - ITALY - Tel. +39 055 65721 - Fax +39 055 6572312 - mail@bcspeakers.com

**MOUNTING AND SHIPPING INFO**

Overall Diameter	225 mm (8.8 in)
Bolt Circle Diameter	210 mm (8.3 in)
Baffle Cutout Diameter	187.0 mm (7.4 in)
Depth	91 mm (3.6 in)
Flange and Gasket Thickness	11 mm (0.4 in)
Air Volume Occupied by Horn	1.2 dm <sup>3</sup> (0.04 ft <sup>3</sup> )
Net Weight	3.3 kg (7.28 lb)
Shipping Units	1
Shipping Weight	3.75 kg (8.27 lb)
Shipping Box	255x255x150 mm (10.04x10.04x5.91 in)

**SERVICE KIT**

Recone kit	RCK008PS218
------------	-------------

1. 2 hours test made with continuous pink noise signal within the range Fs-10Fs. Power calculated on rated minimum impedance. Loudspeaker in free air.
2. Power on Continuous Program is defined as 3 dB greater than the Nominal rating.
3. Applied RMS Voltage is set to 2.83 V for 8 ohms Nominal Impedance.
4. Thiele-Small parameters are measured after a high level 20 Hz sine wave preconditioning test.